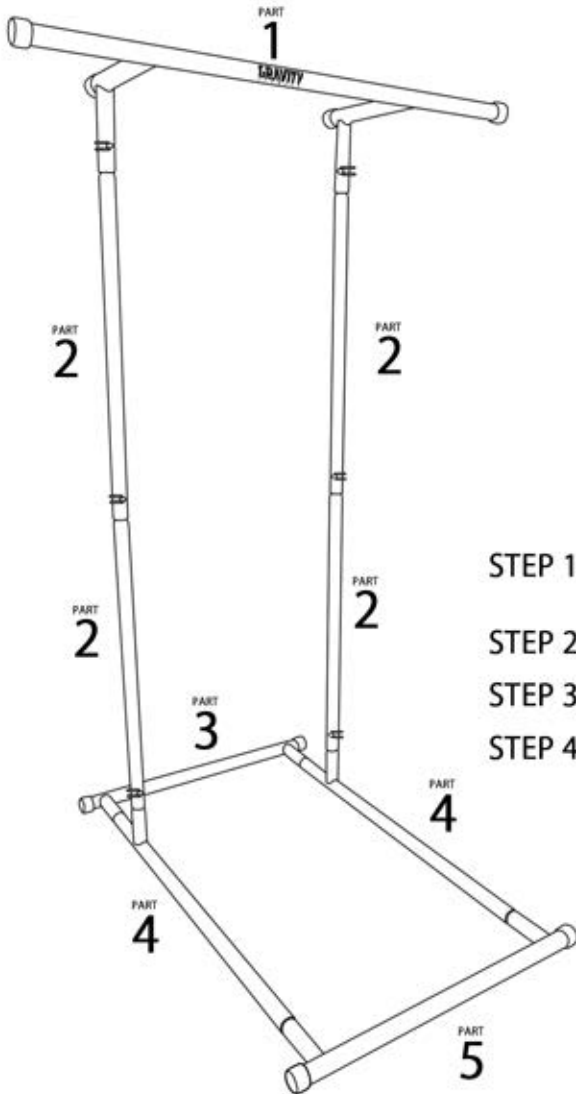


GRAVITY

F I T N E S S

ASSEMBLY INSTRUCTIONS



BOX CONTENTS

- PART 1 - X1 TOP BAR
- PART 2 - X4 VERTICAL SIDE BARS
- PART 3 - X1 REAR BOTTOM BAR
- PART 4 - X2 SIDE BASE BARS
- PART 5 - X1 FRONT BOTTOM BAR
- PART 6 - X6 LOCKING CLIPS

STEP 1: SLIDE PART 3 AND 5 INTO PART 4
(NO LOCKING CLIPS ARE REQUIRED)

STEP 2: PLACE TWO 'PART 2' IN 'PART 3' AND USE LOCKING CLIPS

STEP 3: PLACE TWO 'PART 2' IN 'PART 2' AND USE LOCKING CLIPS

STEP 4: PLACE 'PART 1' IN 'PART 2' AND USE LOCKING CLIP