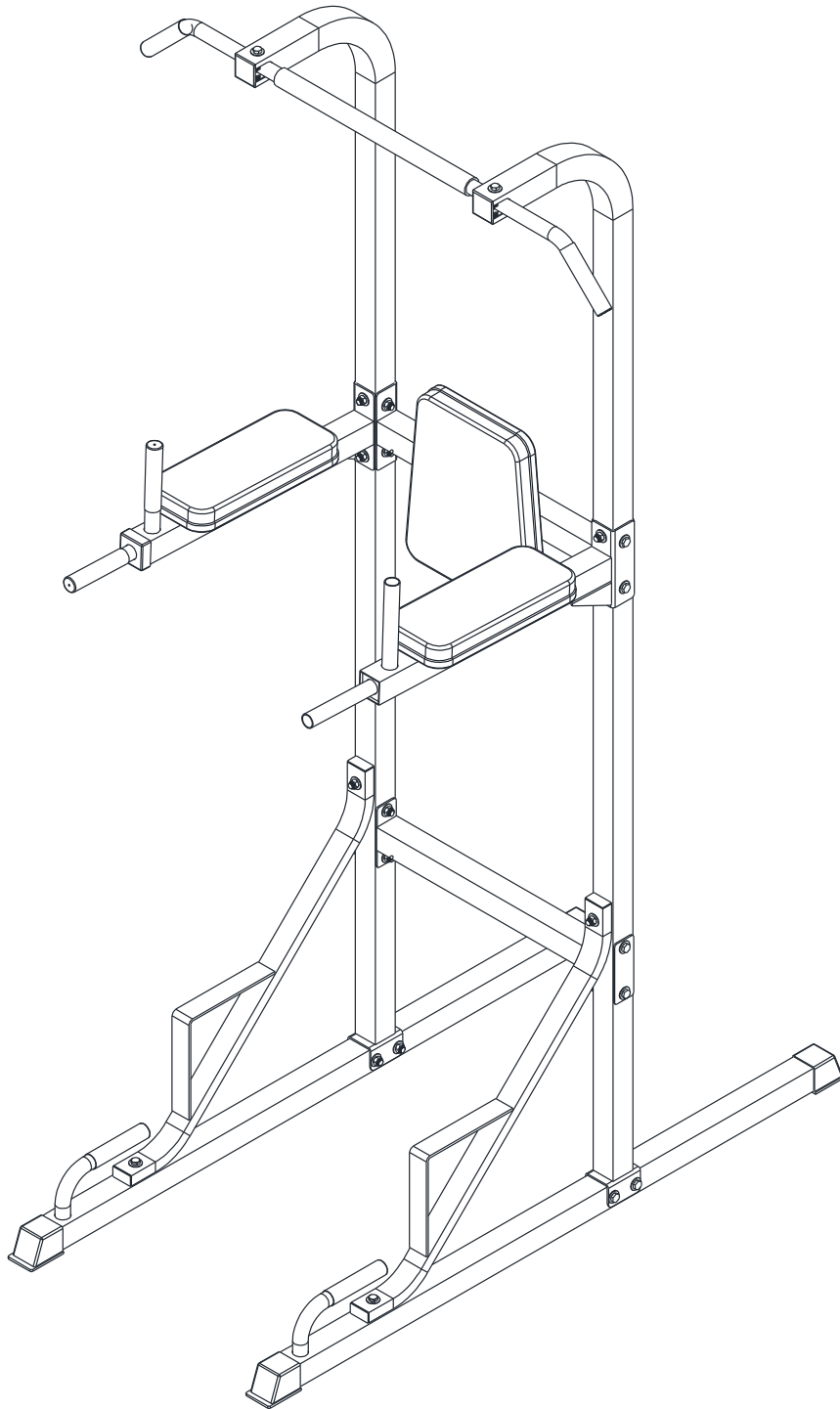


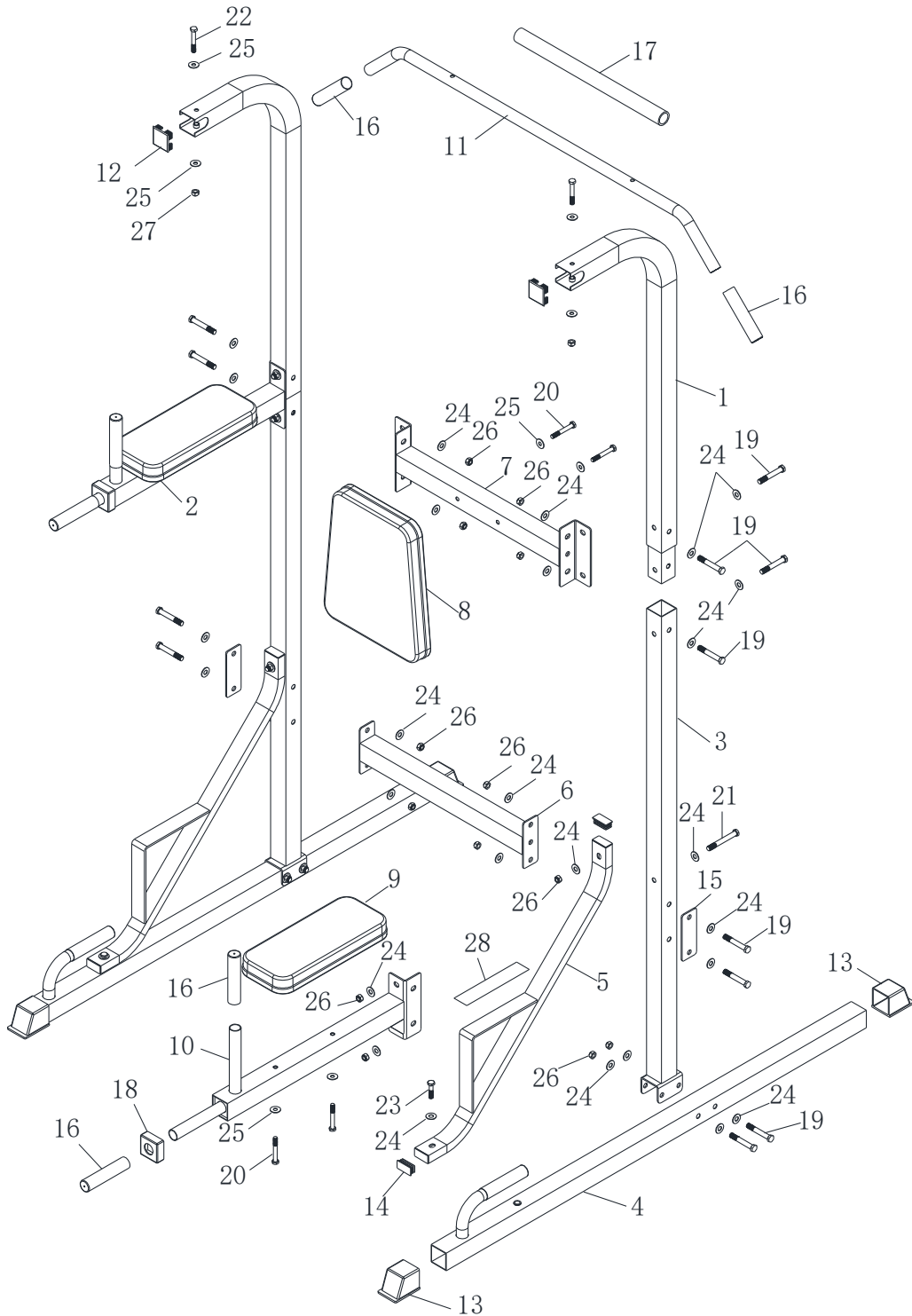


Power Tower Manual





EXPLODED-VIEW ASSEMBLY DRAWING



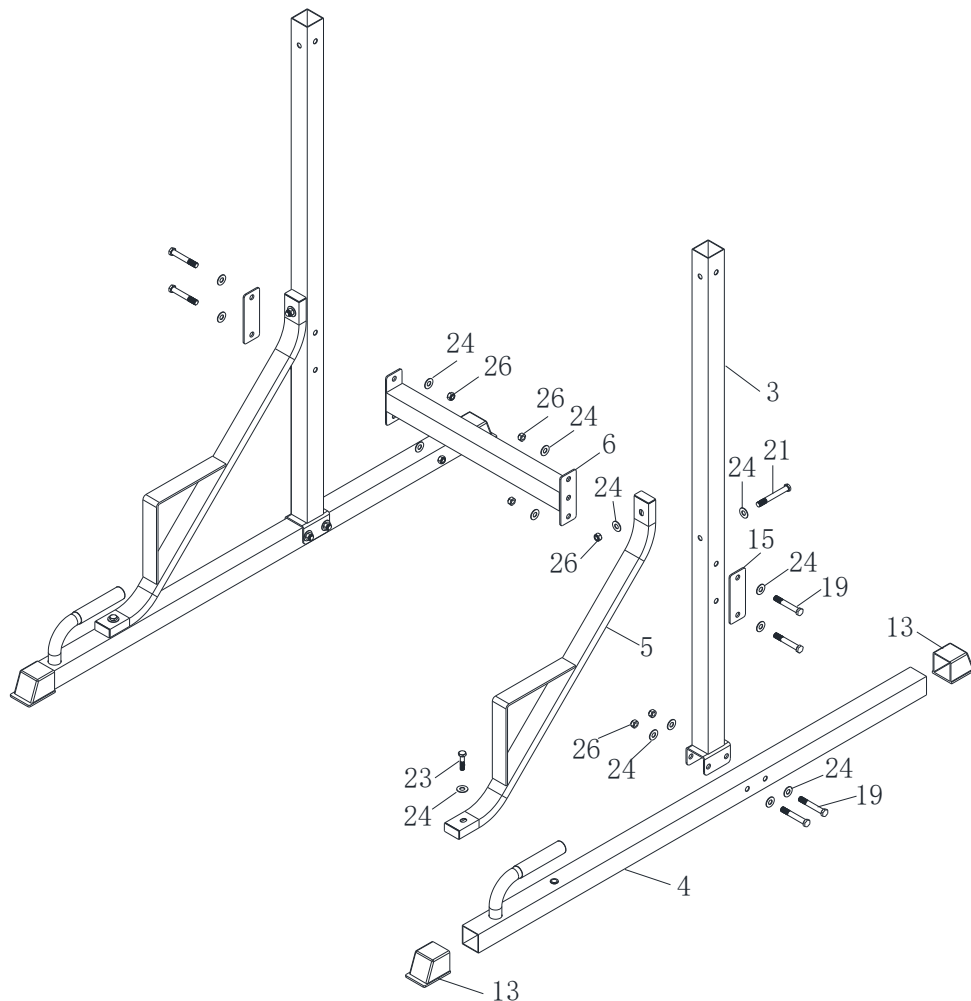


Specification

NO.	DESCRIPTION	QTY	NO.	DESCRIPTION	QTY
1	L Support Frame	2	15	Bracket	2
2	Left Pad Support	1	16	Handle sleeve	8
3	Lower Frame	2	17	Foam grip	1
4	Stabilizer	2	18	Hollow plug	2
5	Support Frame	2	19	Hex bolt M10*65	16
6	Lower connect frame	1	20	Hex bolt M8*60	6
7	Upper connect frame	1	21	Hex bolt M10*80	2
8	Backrest	1	22	Hex bolt M8*55	2
9	Arm curl pad	2	23	Hex bolt M10*35	2
10	Right Pad Support	1	24	Washer ϕ 10	38
11	Chin-up connect tube	1	25	Washer ϕ 8	10
12	Square end plug 45*45	2	26	Nut M10	18
13	Stabilizer end cap 45*45	4	27	Nut M8	2
14	Square end plug 20*40	4	28	Non-slip sticker	2

Assembly Step

1.

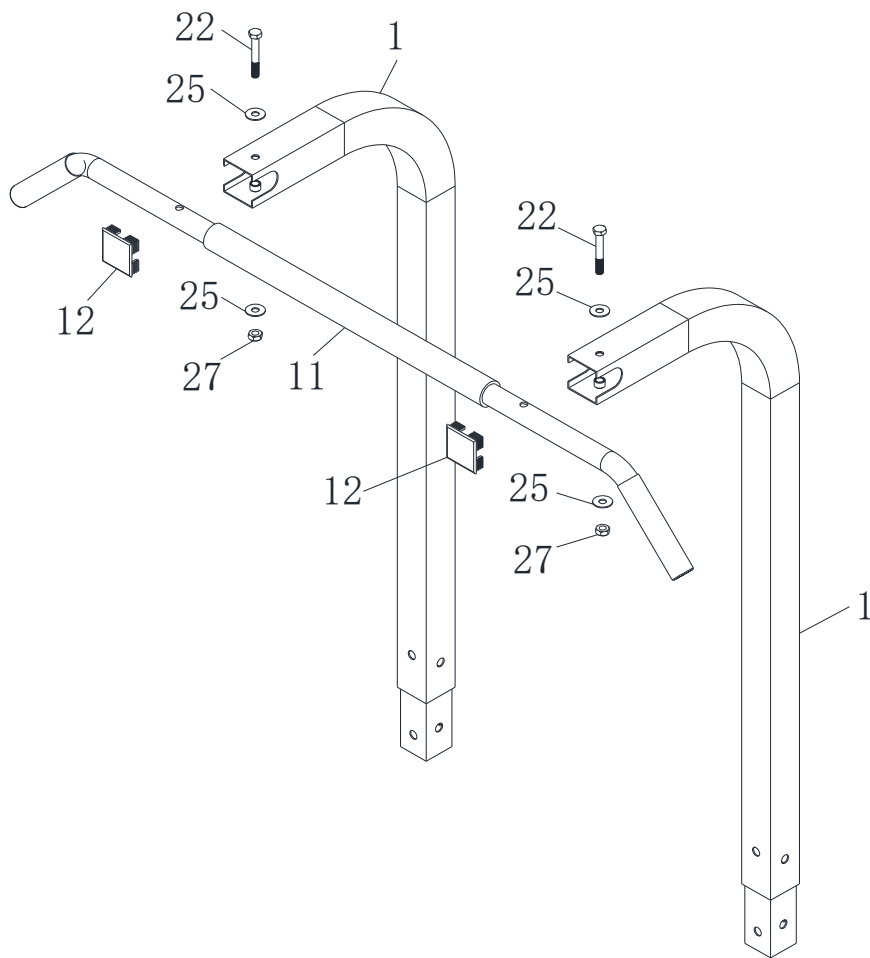


1 Fixed the Lower frame(3) to the Stabilizer(4), Using four Hex bolt M10*65(19), eight Washer M10(24) and four Nut M10(26).

2, Fixed Support frame(5) to Stabilizer(4), Using two Hex bolt M10*35(23), two Washer M10(24).

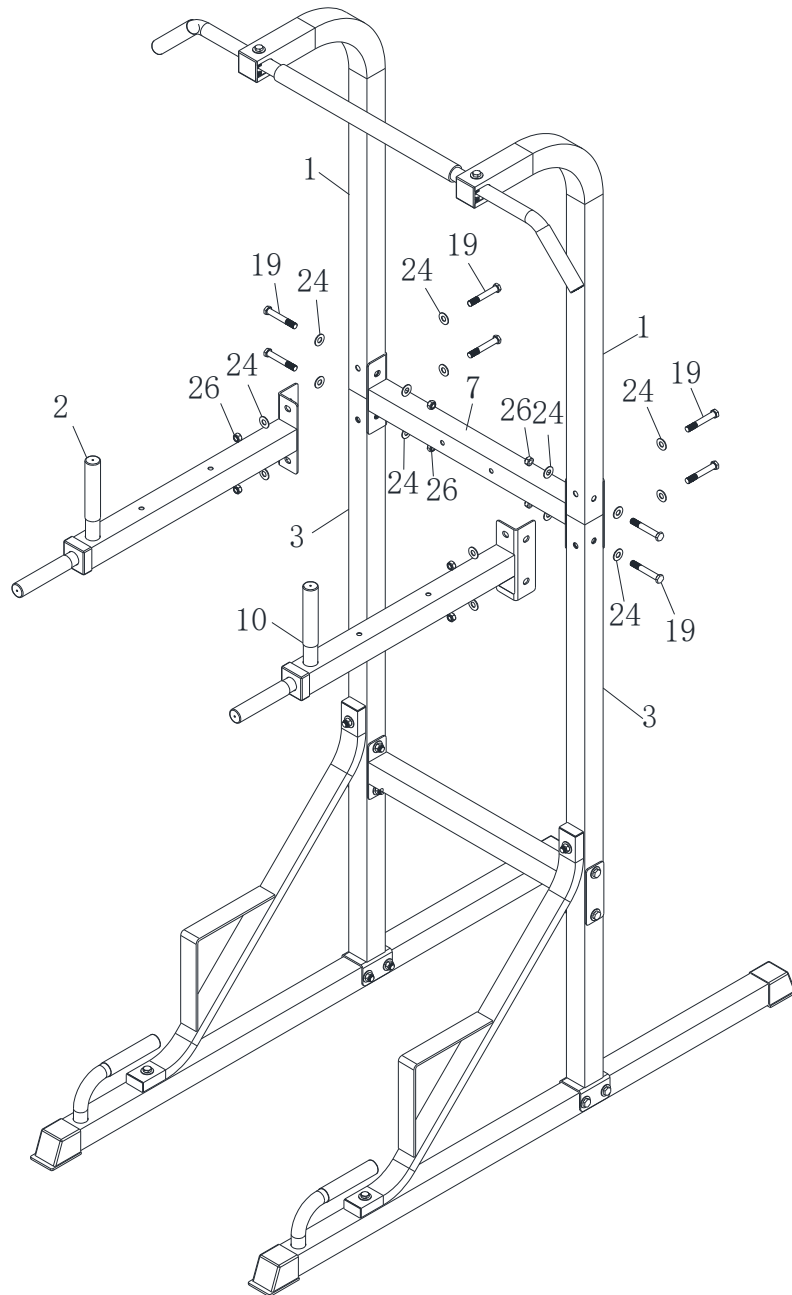
3, Fixed Lower connect frame to Lower frame, Using four Hex bolt M10*65(19), eight Washer M10(24) and four Nut M10(26).

2.



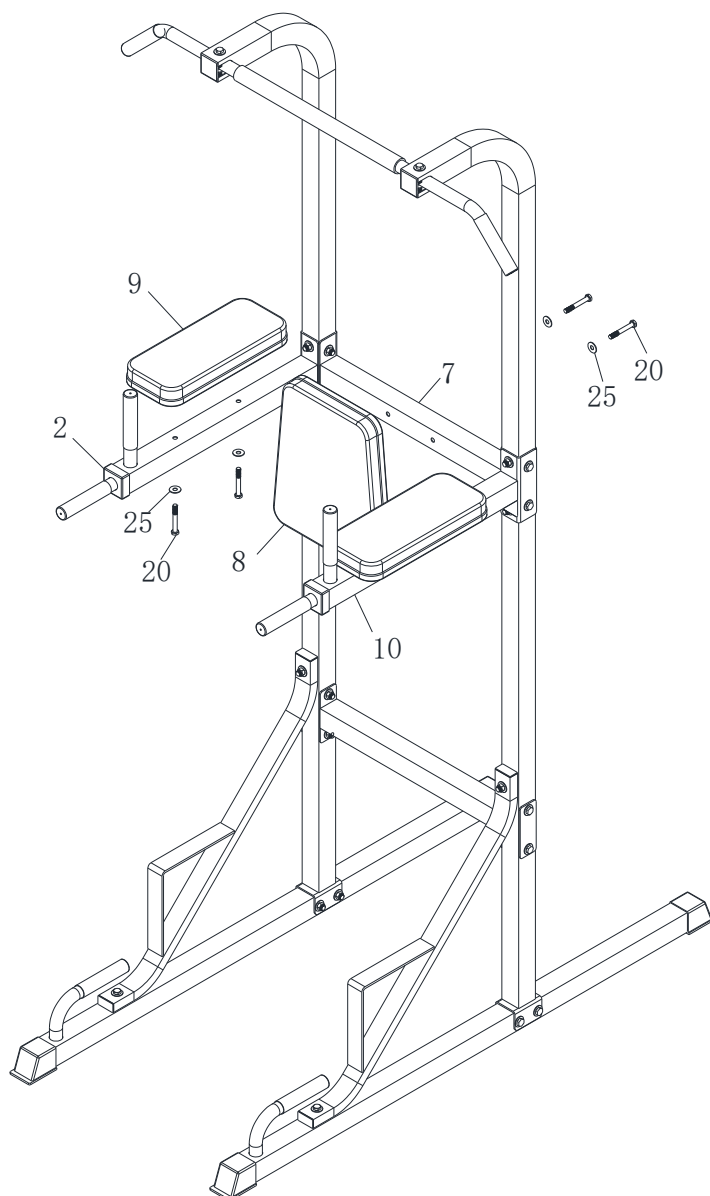
Fixed Chin-up connect tube(11) to L Support Frame(1),Using two hex bolt M8*55(22), four washer ϕ 8 (25) and one Nut M8(27), then insert Square end plug(12).

3.



Fixed L Support Frame(1) to Lower Frame(3), through Upper connect frame(7) and left/Right Pad Support(2/10), Using eight Hex bolt M10*65(19), Sixteen Washer ϕ 10 (24) and eight Nut M10(26). Lock the screws with the tool.

4.



1, Fixed Arm curl pad(9) to left/Right Pad Support(2/10), Using four Hex bolt M8*60(20), four Washer ϕ 8 (25) .

2, Fixed Backrest(8) to Upper connect frame(7), Using two Hex bolt M8*60(20), two Washer ϕ 8 (25) .